



SoLED Solar Light



6830-084-CR5

Soled Solar Light II 84LED 100W CR5

This is a must have for any government street lighting project, especially where there are problems with reliable power generation or those area that are trying to reduce their carbon footprint.

Product Technical Data

General Informaion

Heatsink 6063-T5 aluminum alloy
Life Span 50000hr

Light Characteristics

Efficacy 106.00 lm/W
Beam Angle 120
CCT 5500K
Flux 11,676lm
Color Rending 85
Index

Electrical Characteristics

Wattage 100W
Voltage universal
Power Factor 0.937

Temperature

Operating Temp. -40(min), 45(max)C
Storage -40(min), 45(max)C

Product Dimensions

Lamp Length 560mm
Lamp Width 333mm
Lamp Height 100.5mm
Lamp Body Length 560mm
Max Pole Opening 72mm

Ordering Information

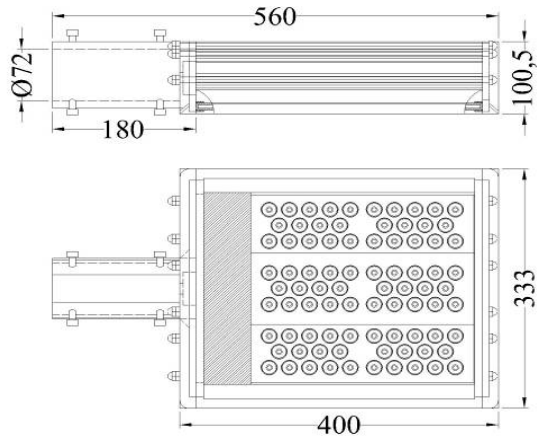
Product Number A-6830-084-CR5
Product Name Lucas II 84
Product Ordering Name Lucas Street Light 84LED 100W CR5
Pieces Per Pack 1
Packs Per Carton 1
Net Weight Per Piece 8.7 Kg

www.u-tron.com



SoLED Solar Light

Technical Drawing



©2012 U-Tron (Beijing) Electronics Co., LTD

All rights reserved

Specifications are subject to change without notice

15-Feb-12

data subject to change

www.u-tron.com

